
JLR-4340

GPS receiver



– a sophisticated “all-in-view” GPS receiver that provides accurate global positioning

12 channel parallel receiver

Built-in WAAS/EGNOS/MSAS receiver

NMEA 0183 output

12-24 VDC supply

RAIM, satellite integrity check

JLR-4340

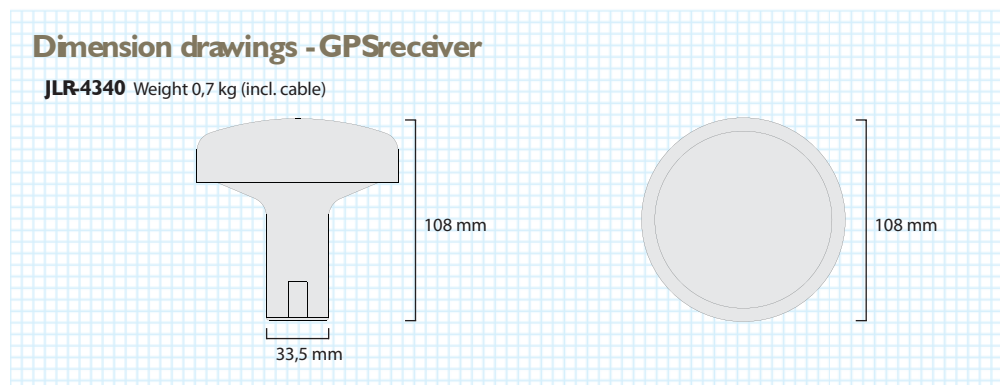
– specifications

Unique features

- The sophisticated “all-in-view” JLR-4340 GPS receiver uses up to 12 satellite signals to pinpoint your exact location.
- The JRC GPS receiver integrates DGPS measurement via correction data transmitted from the SBAS satellites (WAAS, EGNOS, MSAS), resulting in an even higher accuracy of current position.
- RAIM functionality is included to assess the integrity of GPS signals in the GPS receiver, assuring higher reliability in global positioning than conventional methods.
- The NMEA0183 output can be configured as version 1.5, 2.1 or 2.3, thus allowing connection with various types of marine equipment including radars, fish finders and plotters.

Configuration

The base of the GPS receiver is designed for easy installation, either on to a navigation antenna mount unit or on an extension



mast (according to 1" x 14 NPT standards). The antenna base includes a slot allowing for easy cable management, significantly reducing installation time.

You can link power supplied by connected GPS navigation equipment, directly to the GPS receiver.

Model		JLR-4340
GPS receiver		
Receiver type	multi channel (12C H, WAAS, EGNOS, MSAS) all-in-view	
Frequency	1575.42MHz±1MHz	
Sensitivity	-135dBm for acquisition, -138dBm for tracking	
Accuracy	13m 2DRMS (C/A code, HDOP≤4) 7m 2DRMS after correcting SBAS	
Time to first fix	normally 40sec (cold start fix) normally 30sec (warm start fix)	
Position update	normally every 1sec	
DGPS input	RTCM SC-104 ver.2.0 type 1,2,7,9 available	
Data output	selectable NMEA0183: ver.1.5, ver.2.1 or ver.2.3 ver.1.5: GGA, RMC, GLL, VTG ver.2.1: GGA, RMC, GLL, VTG, GS GSA, DTM ver.2.3: GGA, RMC, GLL, VTG, GS GSA, DTM, DA , GBS, GRS, GS, GNS	
Geodetic datum	46 (WGS-84, WGS-72, Japan, America, Canada/Alaska, Europe, Australia, England, NAD-83 and 37 other selectable)	
Input voltage	DC 10.8 to 31.2V	
Power consumption	≤1.5W	
Waterproof	USCG CR-46/IEC60945	
Cable	incl. 10m cable	

All specifications are subject to change without notification.

For further information please contact:



Japan Radio Co., Ltd.

JRC Amsterdam branch
Cessnalaan 40-42
1119NL Schiphol-Rijk, The Netherlands
Telephone: +31 20 6 580 750
Fax: +31 20 6 580 755
E-mail: sales@jrcams.nl
Web: www.jrcams.nl

NAVTEAM

Professional Marine Electronics

NAVTEAM A/S
Norgesvej 7, DK-5700 Svendborg, Denmark
Tel. +45 63 21 80 80 Fax +45 63 21 80 81
sales@navteam.com www.navteam.com